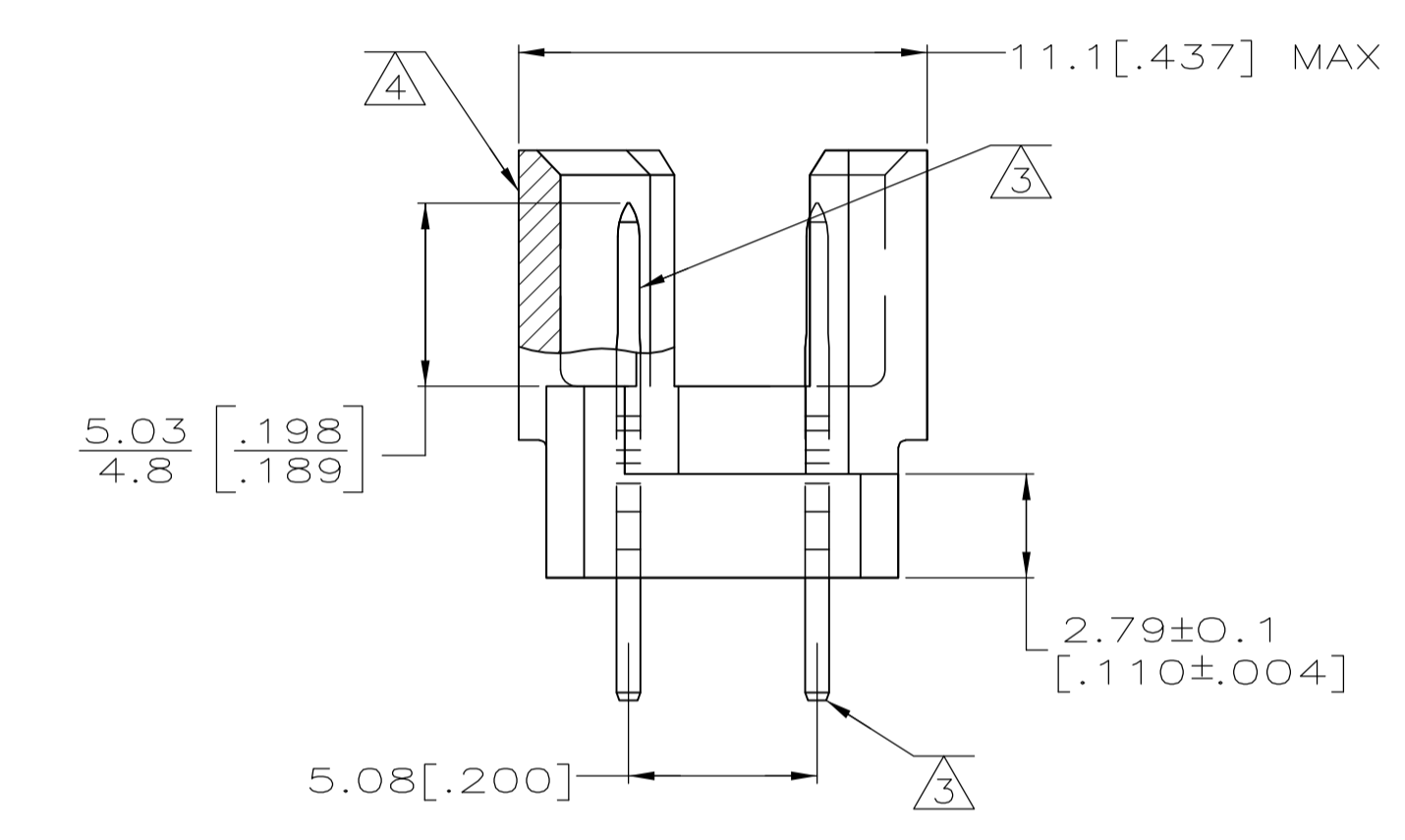


- ① HOUSING MATERIAL: GLASS-FILLED POLYMER.
- ② POST MATERIAL: COPPER ALLOY.
- ③ POST FINISH: DIN 41612 CLASS 2 IN CONTACT AREA. TIN PLATE ON POSTS.
- ④ MARKING ON THIS SIDE.
- ⑤ RECOMMENDED HOLE SIZE FOR MANUAL APPLICATION OF CONNECTOR ONTO PC BOARD.
- ⑥ [PART NUMBER, DATE CODE] MARKED THIS APPROXIMATE AREA.



1-32	X	-	X	64	5650933-5
POSITIONS LOADED	C	B	A	NO. OF LOADED POSITION	ASSY PART NUMBER

THIS DRAWING IS A CONTROLLED DOCUMENT.		DIN J. POLIGNONE	OSMAYOS	Tyco Electronics Corporation Harrisburg, Pa 17105-3608	
DIMENSIONS: mm [INCHES]		CIK A. SHARPE	OSMAYOS	NAME ASSEMBLY, PIN, EUROCARD, TYPE R, 64/96 POSITION, 3.30 [.130] SOLDER POST	
TOLERANCES UNLESS OTHERWISE SPECIFIED:		APVD A. SHARPE	OSMAYOS	PRODUCT SPEC	
0 PLC ± -		APPLICATION SPEC		SIZE CAGE CODE DRAWING NO RESTRICTED TO	
1 PLC ± -		WEIGHT		A1 00779 C=5650933	
2 PLC ± 0.13 [.005]		CUSTOMER DRAWING		SCALE 5:1 SHEET 1 OF 1 REV 01	
3 PLC ± -					
4 PLC ± -					
ANGLES ± -					